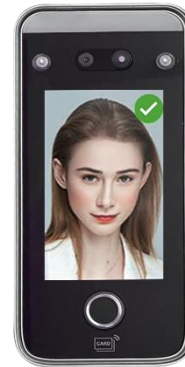


## AT-ACS-FR06TM

Access Control Face Recognize Reader

### DESCRIPTION

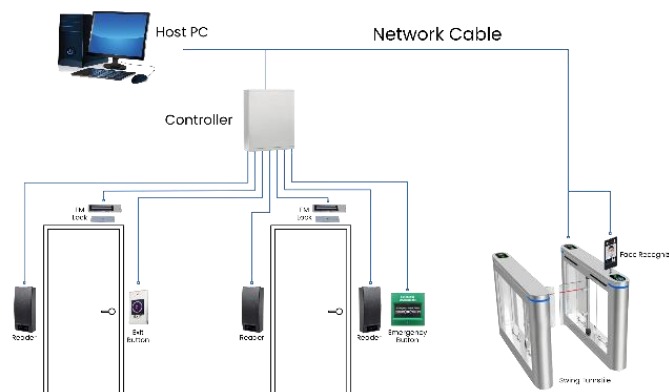
The **AT-ACS-FR06TM** is Face Recognition Access with AI Technology that utilizes advanced algorithms to identify and authenticate individuals based on their facial features. This system captures and analyzes facial images, comparing them against a database to grant or deny access to secure areas or systems. This innovative solution is commonly used in various applications, including workplaces, airports, and smart home systems, promoting enhanced security and streamlined access management.



### MAIN PRODUCT

- 5000 Face Capacity
- 10000 Fingerprint Capacity
- 0.5 – 2.5 Meters Recognition Distance
- Live Face Detection
- 5 inch Touch Screen
- QR Code Reading
- RFID Support
- Mask Detection

### SYSTEM CONNECTION DIAGRAM



# ACCESS CONTROL SYSTEM

## TECHNICAL SPECIFICATION

<i>CPU</i>	1.2G Dual-Core ARM Cortex-A7
<i>NPU</i>	600G (0.6T)
<i>RAM</i>	256M DDR3L
<i>ROM</i>	4G EMMC
<i>Camera</i>	<ul style="list-style-type: none"><li>- Real Sensor 1/2.9 inch FOV 75* 2MP pixel high definition color camera</li><li>- WDR wide dynamic</li><li>- Sensor 1/5 inch FOV 75* 2MP pixel Infrared live camera</li></ul>
<i>Fill Light</i>	LED Fill Light and Dual Infrared Fill Light (Automatic Control according to Ambient light)
<i>Display</i>	5.0 Inch IPS Touch Screen, HD 720 x 1280
<i>Communication Port</i>	TCP/IP, USB-Type A (Support U disk) WIFI, RS485
<i>Mask Detection</i>	Support mask detection and face recognition with wearing mask
<i>Power</i>	DC 12V, 2A
<i>Working Temperature</i>	0~45°C
<i>Working Environment</i>	Under normal light, strong light, dark Environment, backlight
<i>Face/Card Capacity</i>	5,000
<i>Fingerprint Capacity</i>	10,000
<i>Face Recognition Speed</i>	<0.2s
<i>Face Recognition Distance</i>	0.5 ~ 2.5 m (adjustable)
<i>Product Size</i>	187 x 87 x 26mm