

AT-ACS-CTRV12

Access Control Controller

DESCRIPTION

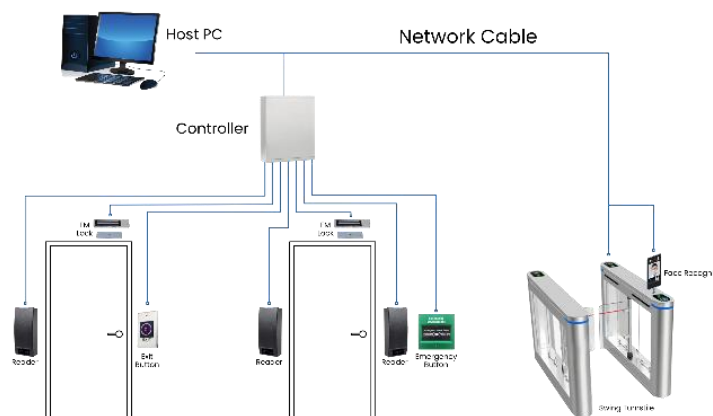
The **AT-ACS-CTRV12** is an intelligent access controller designed to secure and manage for 2 door access and 4 reader device. It can be integrated into a larger access control system to manage door access, lift access, gate access, and on-site security task. While it works seamlessly with management software for extended features, it also has a built-in database and processing ability to execute local access control.



MAIN PRODUCT

- Manage access through two Doors – Read In/Out when using output readers with a maximum of 4 readers for full read-in and read-out capability
- Up to 20,000 Keyholder database – based on one credential record per Keyholder
- 3 Amp thermal fuse protection to Lock relays
- Local/global Anti-passback
- Built in TCP/IP for communication to Access Central and RS-485 for secondary AT-ACS-CTRV12 Controllers

SYSTEM CONNECTION DIAGRAM



ACCESS CONTROL SYSTEM

TECHNICAL SPECIFICATION

<i>Number of ID Devices Supported</i>	20.000
<i>Event Storage</i>	20.000 events
<i>Max. Reader Device</i>	4 Reader
<i>Distance to Input Devices</i>	70 m
<i>Input Connection Features</i>	1x tamper alarm input 1x override input 1x TCP/IP input (RJ-45) 1x input per door channel
<i>Output Connection Feature</i>	2x 5 Amp Lock relays @30V DC 2x 5 Amp Auxiliary relays @30V DC
<i>Recommended Cabling</i>	0.22 mm 8-core (multi pair)
<i>Power Input</i>	12-24VDC
<i>Operating Temperature</i>	0°C to 35°C
<i>Operating Humidity</i>	10% to 85% Relative Humidity
<i>Dimension</i>	181mm (W) x 65mm (H) x 125mm (D) (Without Box)