

AT-ACS-CTRV11

Access Control Controller

DESCRIPTION

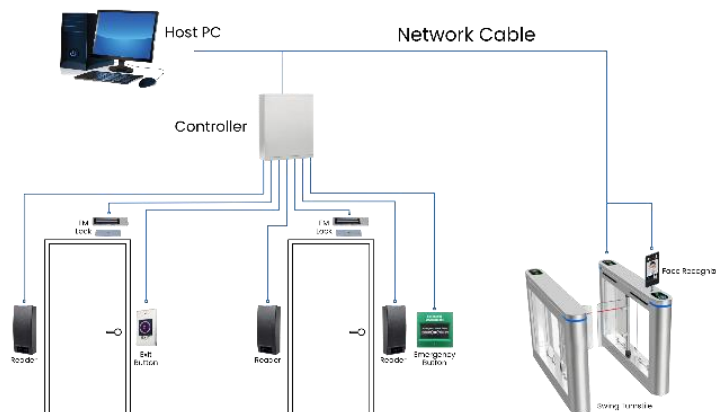
The **AT-ACS-CTRV11** is an intelligent access controller designed to secure and manage access for a single door and 2 reader device. It can be integrated into a larger access control system to manage door access, lift access, gate access, and on-site security task. While it works seamlessly with management software for extended features, it also has a built-in database and processing ability to execute local access control



MAIN PRODUCT

- Control door lock via Fail Safe and Fail Secure modes
- Manages access through 1 door with a maximum of 2 readers for full read-in and read-out capability
- 3 Amp thermal fuse protection to lock relays on controller
- Support ongoing access control and lift control functions if communication to the management platform is lost controls door lock via fail safe and fail secure modes
- Up to 20,000 keyholder record
- One Touch™ test mode
- Local/Global anti-passback for accurate tracking of personnel

SYSTEM CONNECTION DIAGRAM



ACCESS CONTROL SYSTEM

TECHNICAL SPECIFICATION

<i>Number of ID Devices Supported</i>	20,000
<i>Event Storage</i>	20,000 events
<i>Max. Reader Device</i>	2 Reader
<i>Distance to Input Devices</i>	70 m (reader powered from controller) 500m (locally powered reader)
<i>Input Connection Features</i>	1x Tamper alarm input 1x override input 1x TCP/IP input (RJ-45) 1x RS-485 input 1x input per door channel
<i>Output Connection Feature</i>	1x 5 Amp ancillary relays, supporting Programmable output 3x input for proactive monitoring <ul style="list-style-type: none">- Tamper- Over-ride- Customer Programmable input
<i>System Power</i>	12-24VDC
<i>Power Input</i>	220-240V AC, 50Hz
<i>Operating Temperature</i>	0°C to 35°C
<i>Operating Humidity</i>	10% to 85% Relative Humidity
<i>Recommended Cabling</i>	0.22 mm 8-core (multi pair)
<i>Dimension</i>	181 mm (W) x 65 mm (H) x 125 mm (D) (Without box)