

AT-ACS-RM56

Access Control Card Reader

DESCRIPTION

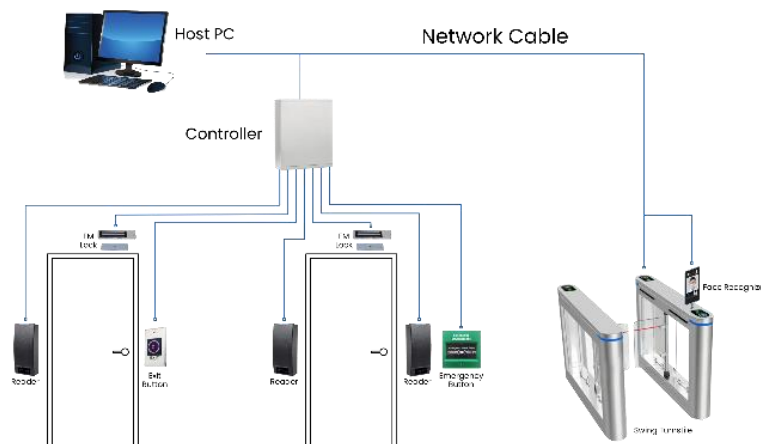
AT-ACS-RM56 Reader is type of access control reader that is used to read and authenticate credentials, such as Card, in order to grant access to a restricted area. The **AT-ACS-RM56** reader is multi-technology reader that supports various technologies.



MAIN PRODUCT

- Fast card reading with secure Wiegand output
- Solid epoxy-potted housing for harsh environments
- Compact size fits door frame and mullions
- Support LED and buzzer control for enhanced integration
- Ideal for access control system in commercial, industrial, and residential setting requiring high security and outdoor resilience.

SYSTEM CONNECTION DIAGRAM



TECHNICAL SPECIFICATION

<i>Supported Output Protocols</i>	34-bit Weigand (default)
<i>Frequency</i>	13.56 MHz MIFARE
<i>Read Range</i>	Up to 5 CM
<i>Reading Time</i>	≤300ms
<i>LED Indicator</i>	Red & Green Dual-Color LED
<i>Beeper</i>	Yes
<i>Current Consumption</i>	Max. 70mA
<i>Input Ports</i>	2 (External LED control, External Buzzer Control)
<i>Reverse Polarity Protection</i>	Yes
<i>Operating Temp.</i>	-20°C to +65°C
<i>Operating Humidity</i>	10% to 90% Relative Humidity
<i>Material</i>	ABS+PC with textured finish
<i>Color</i>	Black
<i>Protection</i>	IP 65 (Waterproof)
<i>Weight</i>	50g
<i>Dimension</i>	100x49x20mm